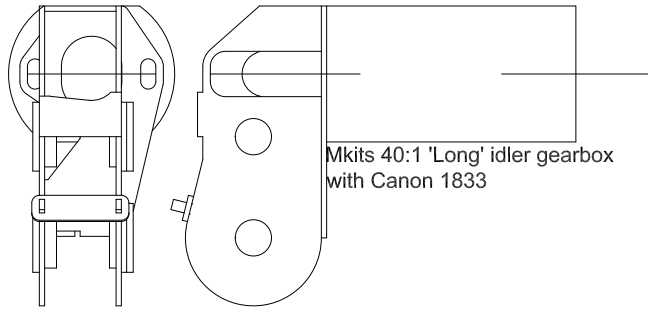
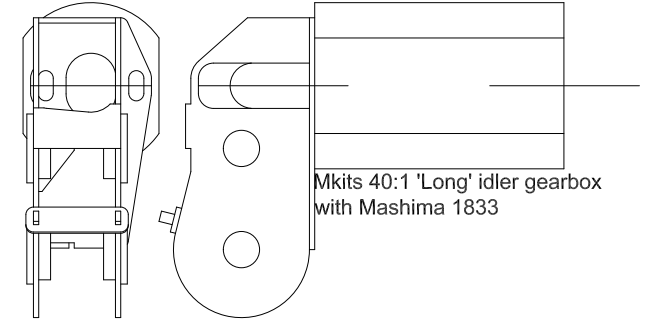




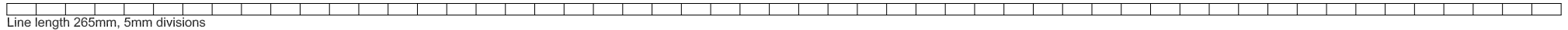
Steph Dale Model Products  
Flat 8 Western Grange, Glebelands Road, Filton, BRISTOL, BS34 7BA  
07714602606, steph@stephdale.co.uk, www.stephdale.co.uk



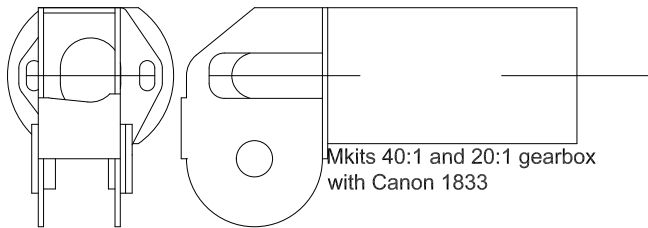
Mkits 40:1 'Long' idler gearbox  
with Canon 1833



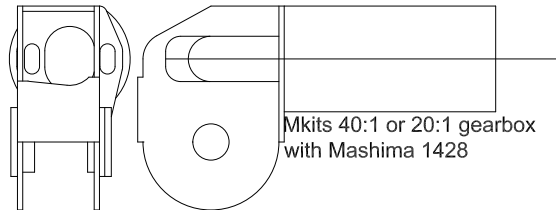
Mkits 40:1 'Long' idler gearbox  
with Mashima 1833



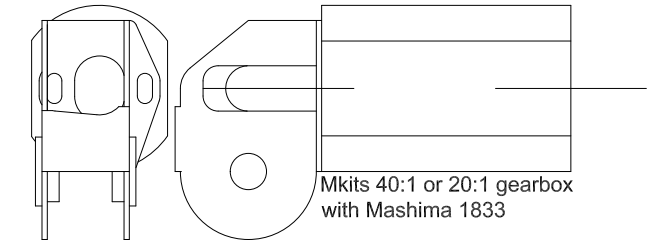
Line length 265mm, 5mm divisions



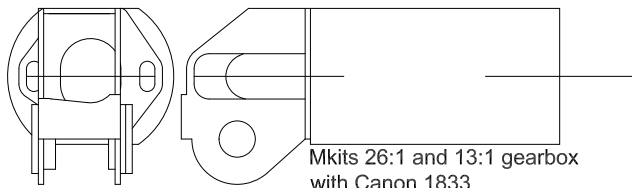
Mkits 40:1 and 20:1 gearbox  
with Canon 1833



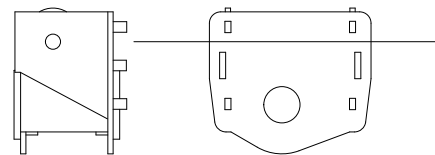
Mkits 40:1 or 20:1 gearbox  
with Mashima 1428



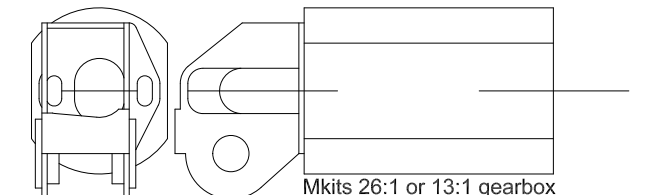
Mkits 40:1 or 20:1 gearbox  
with Mashima 1833



Mkits 26:1 and 13:1 gearbox  
with Canon 1833



Mkits 'Remote' 26:1 or 13:1  
stand-alone gearbox



Mkits 26:1 or 13:1 gearbox  
with Mashima 1833